

## GMC-20 Adjustable Touch Latch

### Features

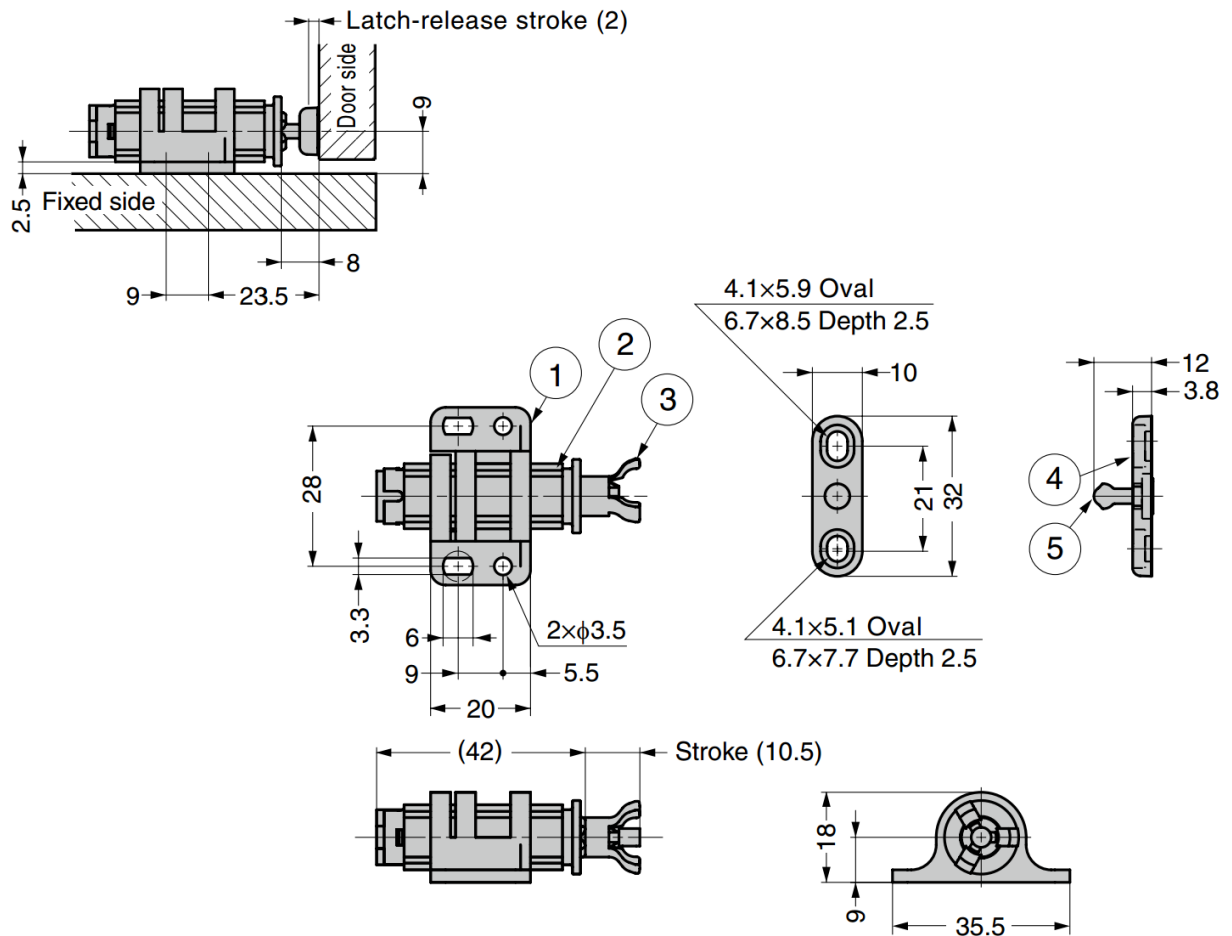
- No handle needed, just push to open/close
- Lightly push to open the door. When closing, arm will catch the counter plate and hold the door with a light push
- Easy adjustment (13 mm forward and backward) by revolving the body

### Parts Included

- Round head wood screw 3.1 × 13



### Installation



No.	Part Name	Material	Colour
①	Base	PP	Black, White
②	Body		
③	Latch		
④	Counter Plate		
⑤	Counter Plate		

Part No.	Colour	Retaining Force	
GMC-20BL	Black	40 N	4 kg
GMC-20WT	White		